



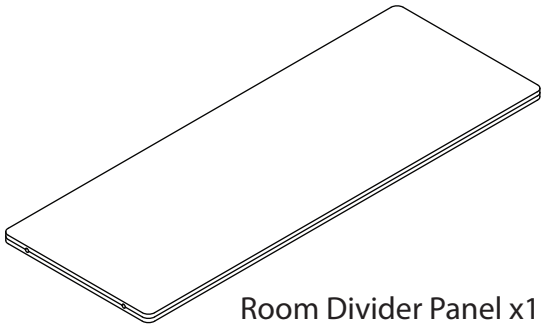
SIGHT + SOUND DAMPENING PRIVACY PANELS



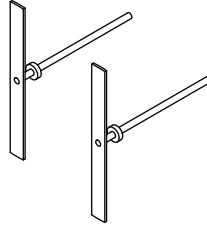
Instructions for the RECLAIM™ Room Divider Panels

### Stand Alone or Extender Installation

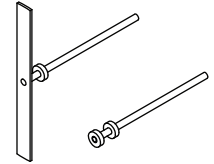
Parts: Box 1



Box 2



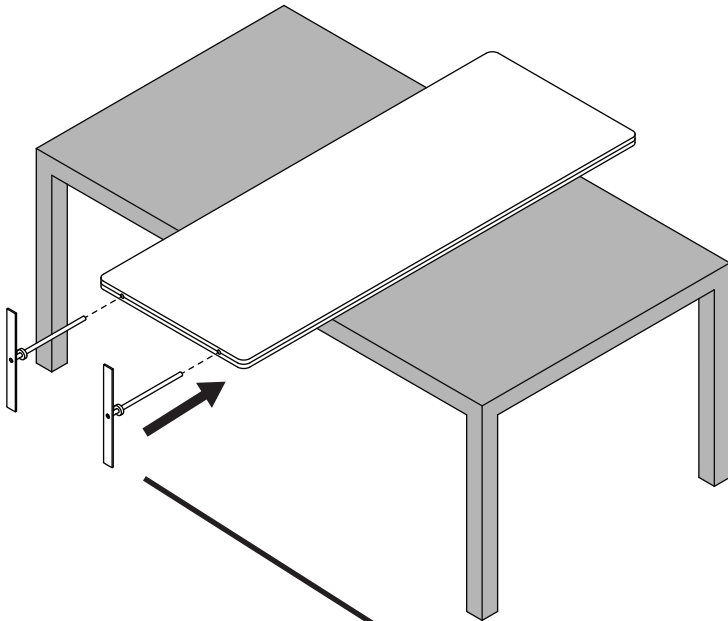
Flat Feet x2  
(Stand Alone)



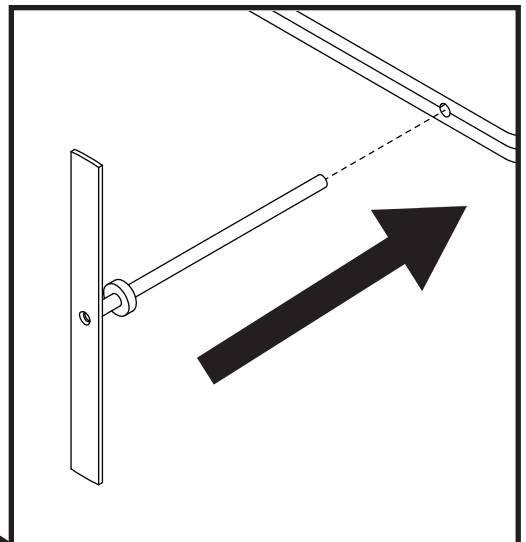
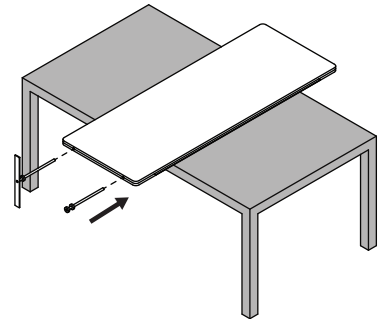
Flat Foot x1  
Peg Foot x1  
(Extender)

\* Please note: The foot type included in box 2 depends on SKU ordered.

1 Please read all instructions before installation. Start by laying the Room Divider Panel on a large, flat, stable surface. Find the pre-drilled holes in the bottom of the divider. Take the set of feet that came with the product and slide them in until the round disk on the foot is up against the Divider Panel.



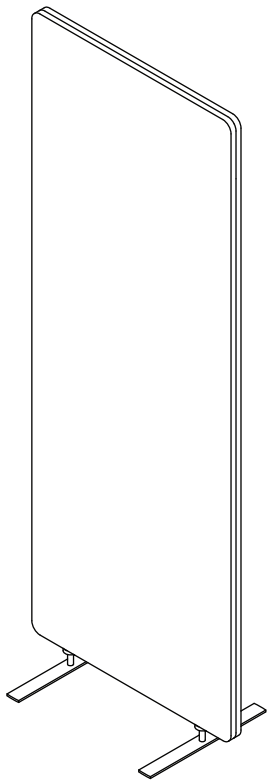
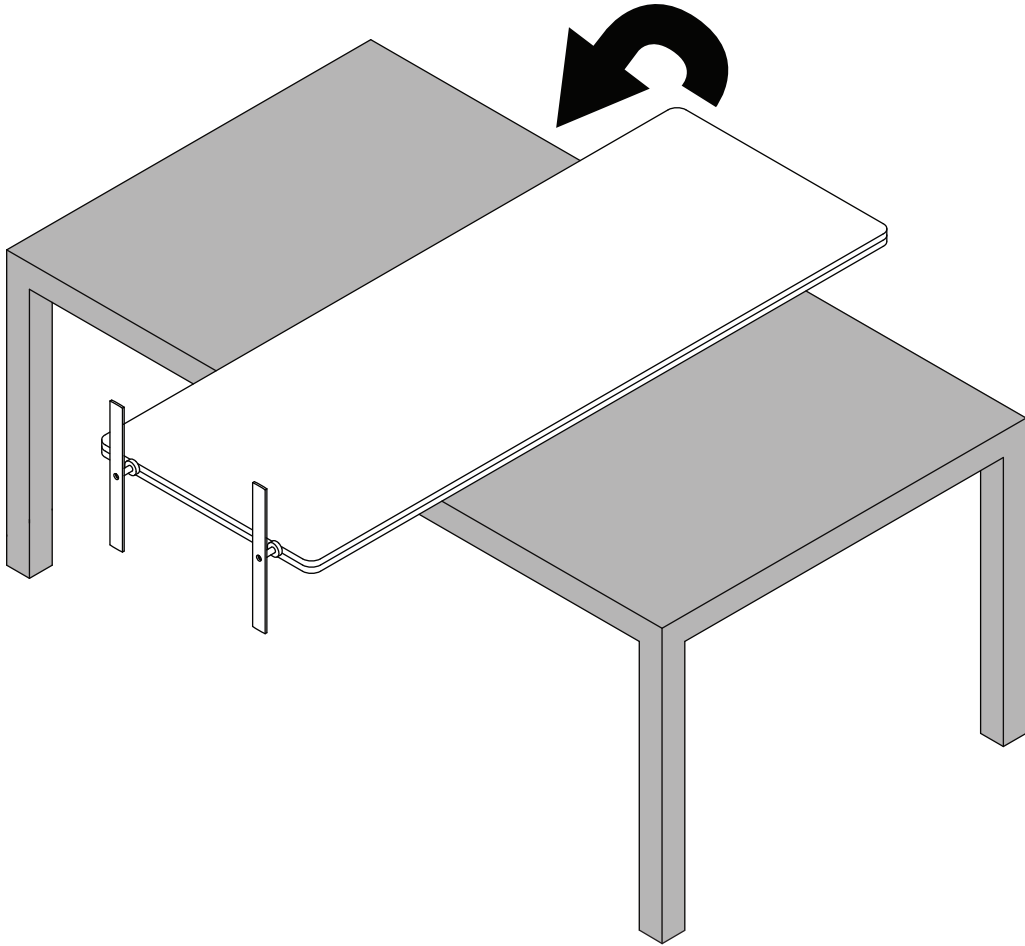
Or



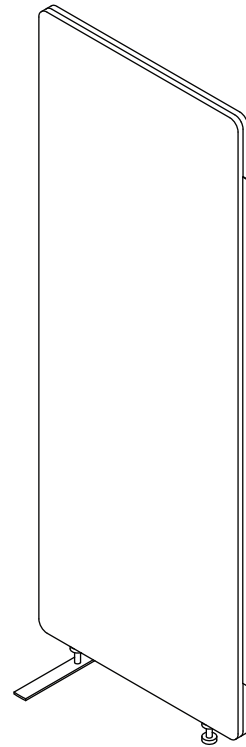
# LUXOR

LuxorFurn.com/Reclaim

- ② Very carefully rotate Divider Panel off of flat surface into a standing position on the floor. For best results, make sure feet are flat and even against the floor.



Or

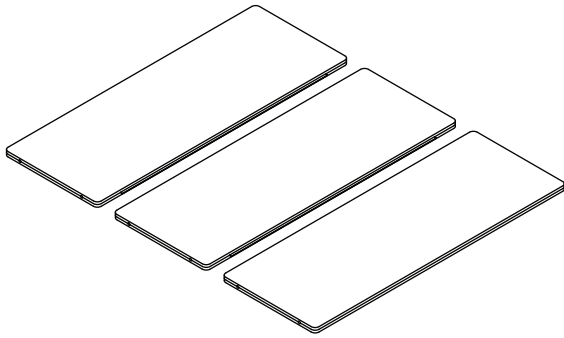


**LUXOR**

[LuxorFurn.com/Reclaim](http://LuxorFurn.com/Reclaim)

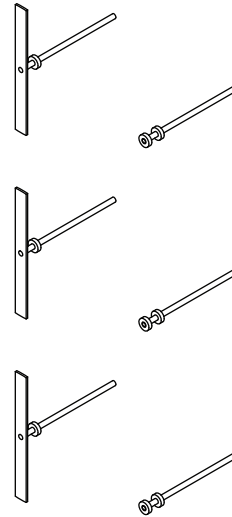
## 3-Panel or Multiple Set Installation

Parts: Box 1



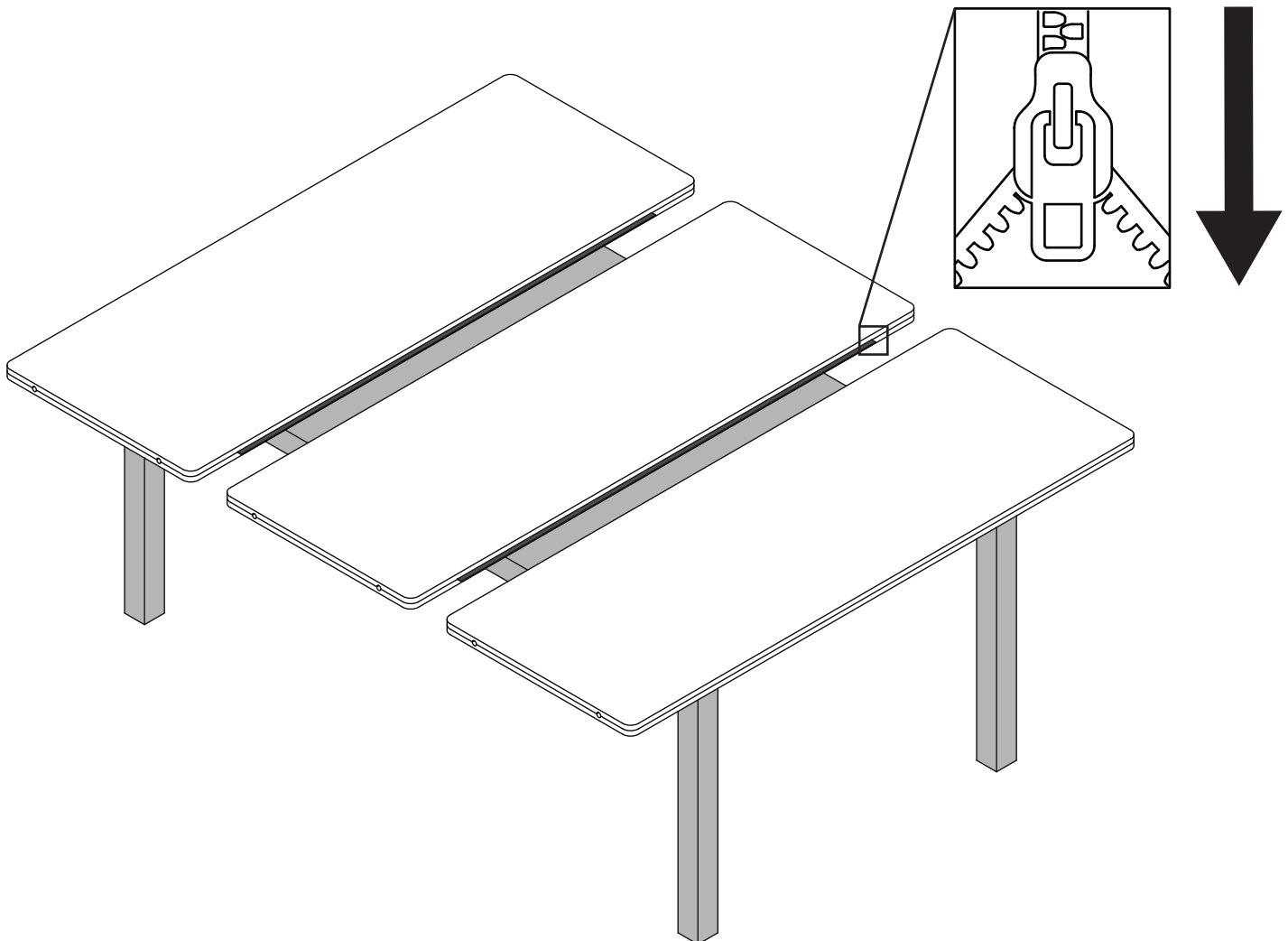
Room Divider Panel x3

Box 2



Flat Foot x3  
Peg Foot x3

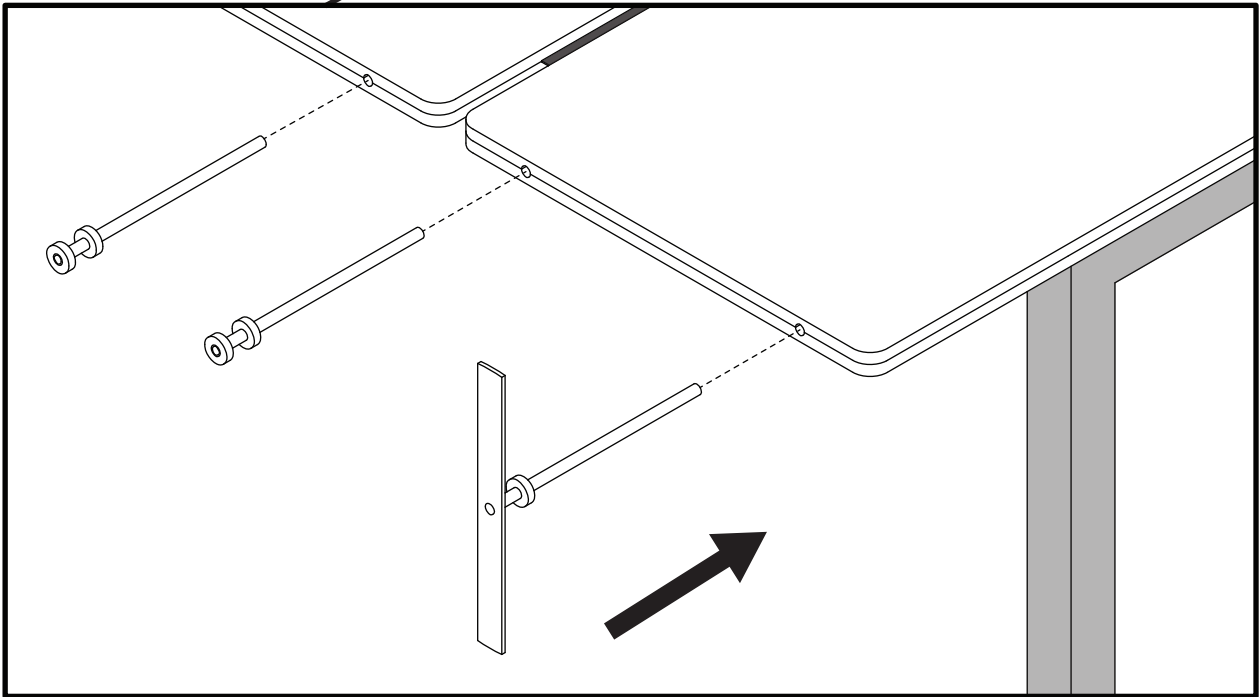
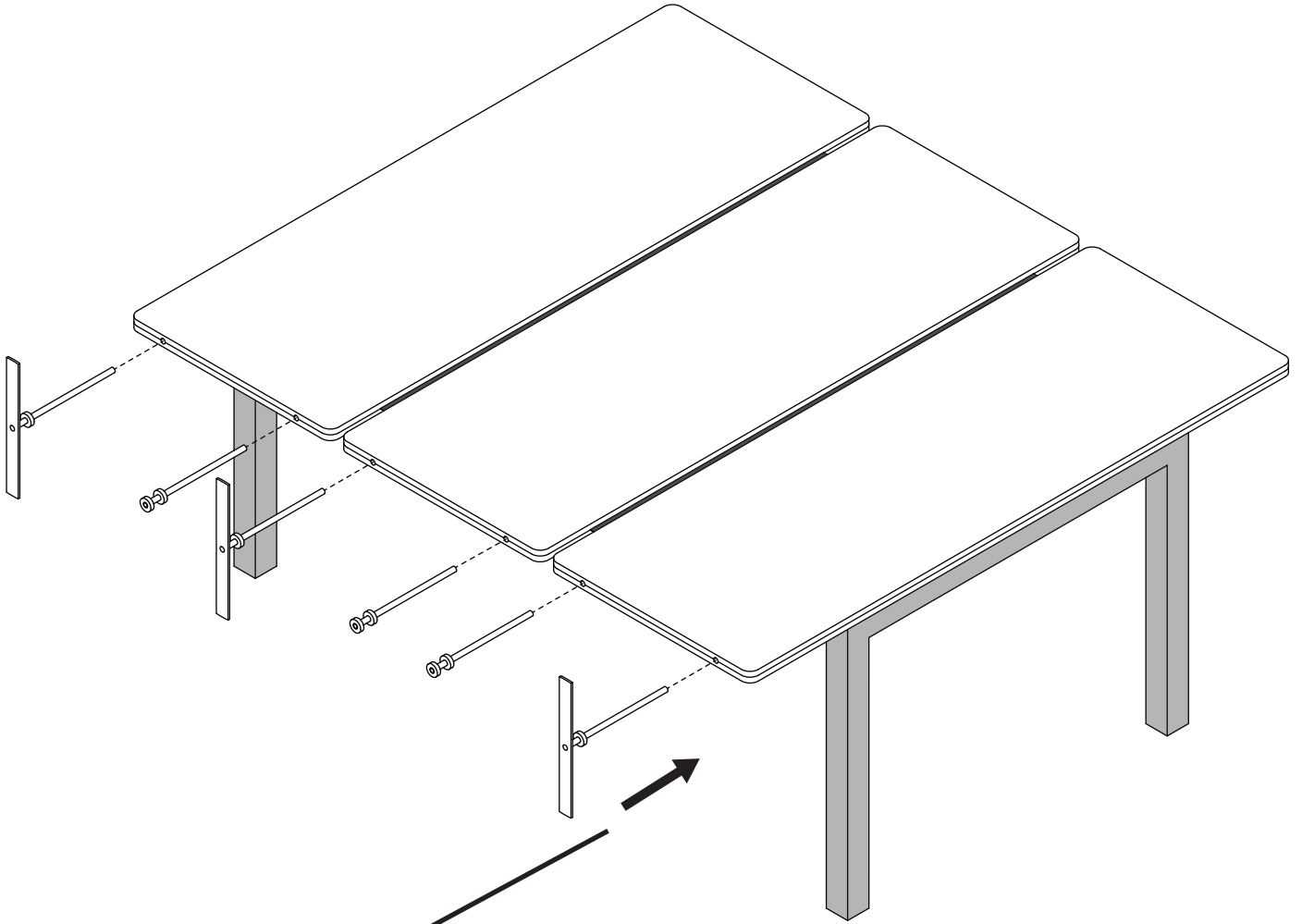
- 1 Start by laying the Room Divider Panels on a large, flat, stable surface. Please note that the Panel with zippers on both sides goes in the middle and the outside Panels should have the zippers facing inwards towards the middle Panel. Find the pre-drilled holes in the bottom of the dividers and make sure they are all on the same side of the table. Next, find the zipper tabs and make sure they are at the top of the Panels. Zip the Panels together by pulling the zipper tabs from the top of the panel all the way to the bottom of the zipper.



# LUXOR

LuxorFurn.com/Reclaim

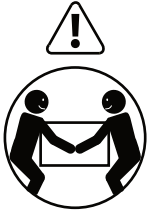
- ② Once the Panels are zipped together, gather the sets of feet for the Panels. Slide the feet in until the round disk on the foot is up against the Divider Panel. Please note the foot placement shown below. The Flat feet need to go on the outside of the end Panels for optimal stability.



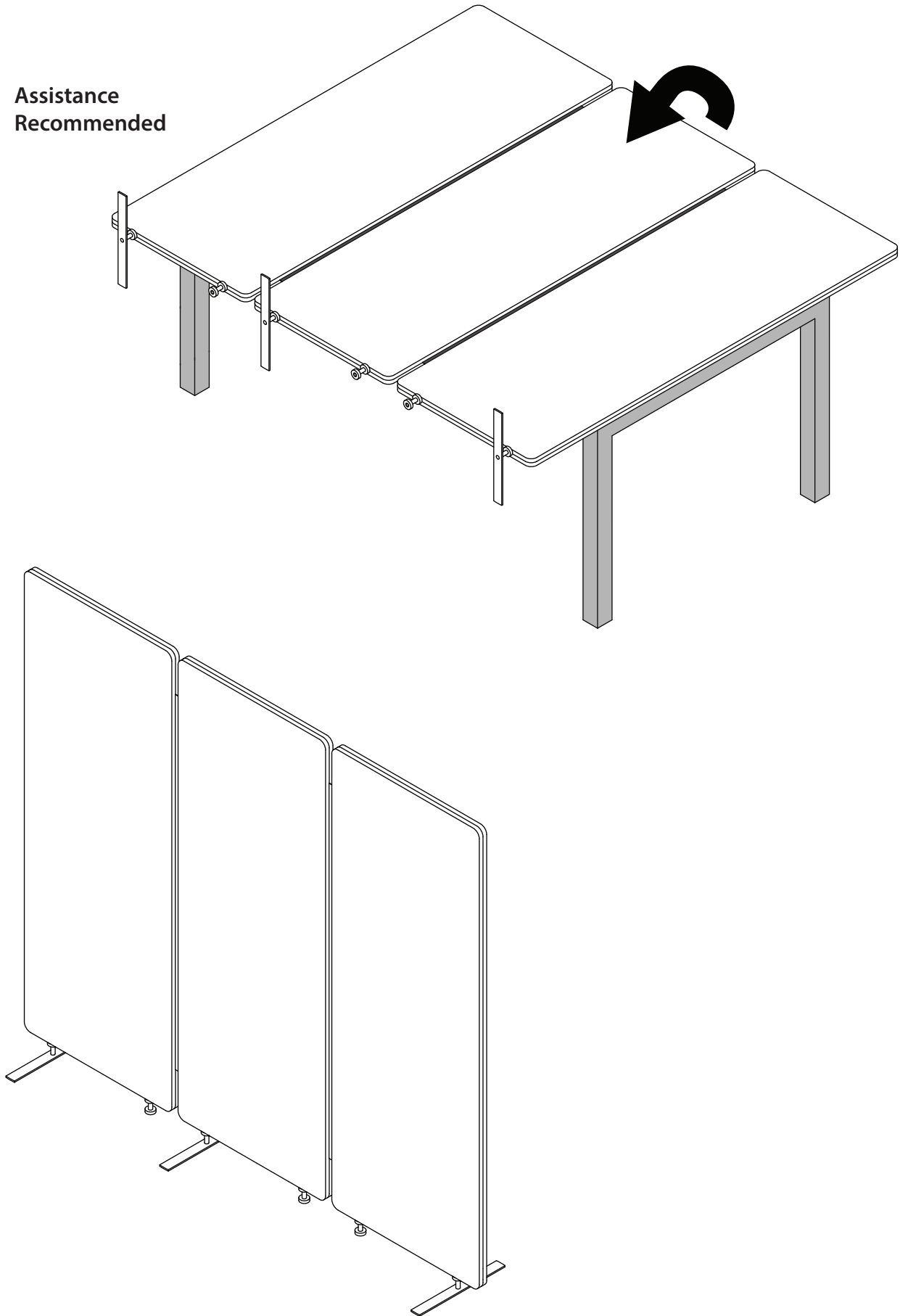
**LUXOR**

[LuxorFurn.com/Reclaim](http://LuxorFurn.com/Reclaim)

- 2 With help, very carefully rotate Divider Panel off of flat surface into a standing position on the floor. For best results, make sure feet are flat and even against the floor.



Assistance  
Recommended



**LUXOR**

[LuxorFurn.com/Reclaim](http://LuxorFurn.com/Reclaim)